

**NOT1745**  
04.24

## Saniwall Pro Up



**GLASS VERSION** ✨



**STYLE VERSION** ✨



**TILE VERSION** ✨



**FR** NOTICE D'INSTALLATION

**UK** INSTALLATION INSTRUCTIONS

**DE** INSTALLATIONSHINWEISE

**IT** STRUZIONI PER L'INSTALLAZIONE

**ES** MANUAL DE INSTALACIÓN

**PT** MANUAL DE INSTALAÇÃO

**NL** INSTALLATIE VOORSCHRIFTEN

**SE** INSTALLATIONSANVISNING

**DK** INSTALLATIONSVEJLEDNING

**NO** INSTALLASJONSANVISNING

**FI** ASENNUSOHJEET

**HU** FELSZERELÉSI ÉS KEZELÉSI ÚTMUTATÓ

**PL** INSTRUKCJA INSTALACJI

**RU** ИНСТРУКЦИЯ ПО МОНТАЖУ И ЭКСПЛУАТАЦИИ

**RO** MANUAL DE INSTALARE

**CZ** NÁVOD K INSTALACI A POUŽÍVÁNÍ

**TR** KURULUM KILAVUZU

**EL** ΟΔΗΓΙΕΣ ΕΓΚΑΤΑΣΤΑΣΗΣ

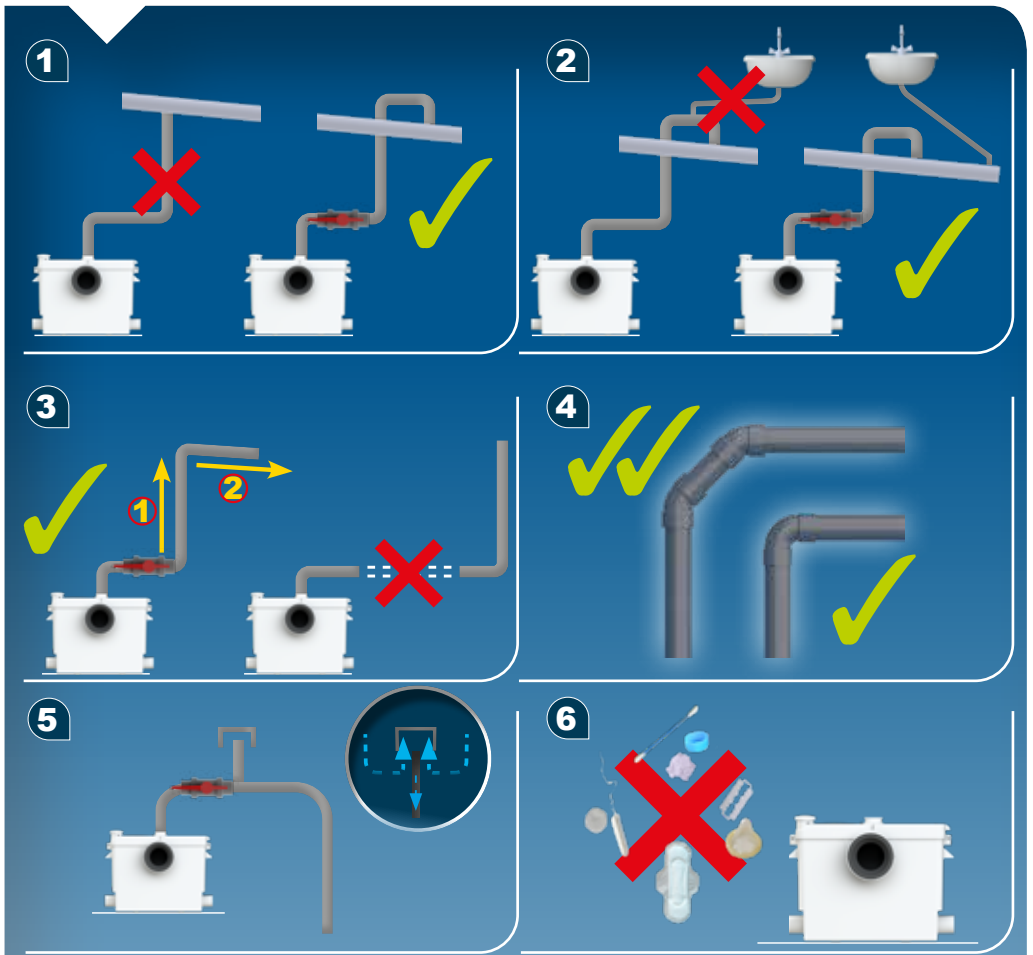
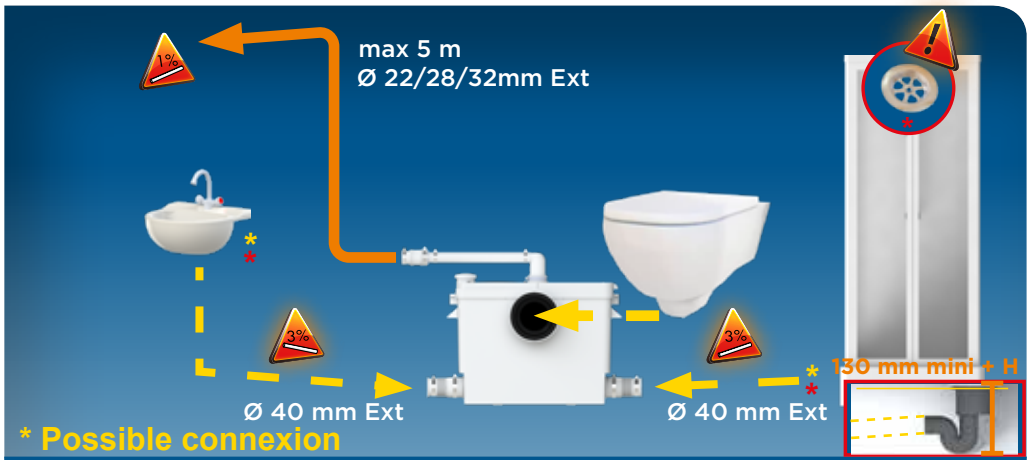
**CN** 用户应保留安装指南以备用

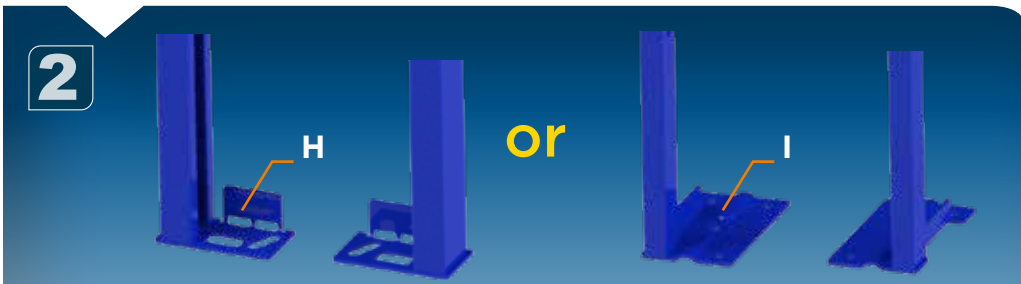
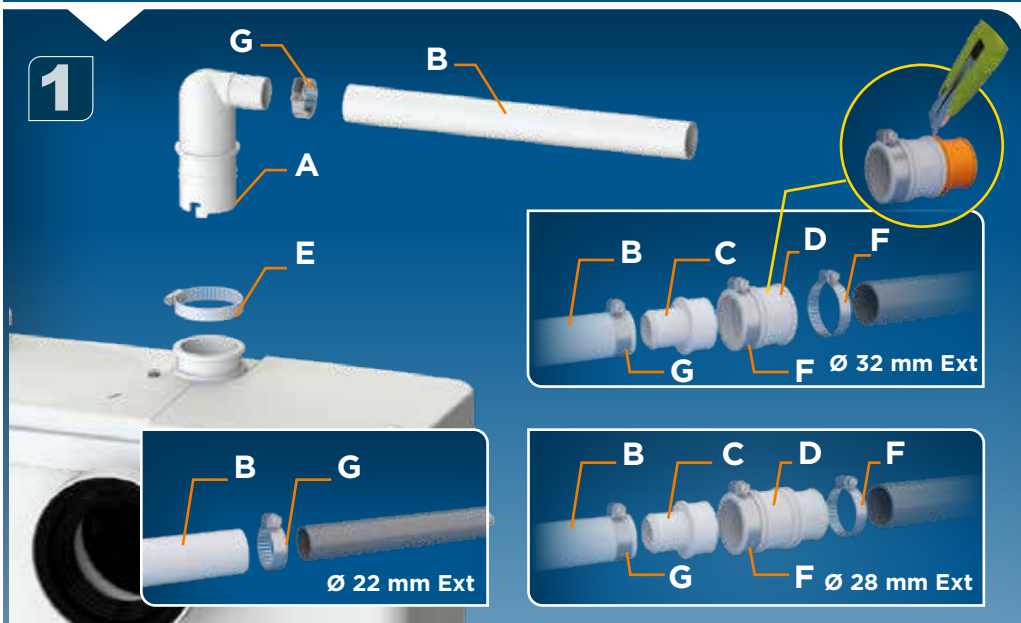
**KR** 설치내용서

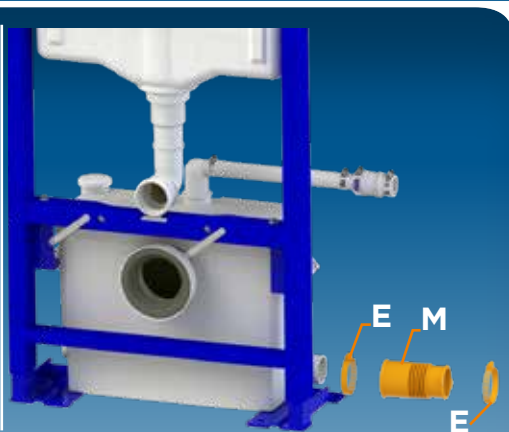
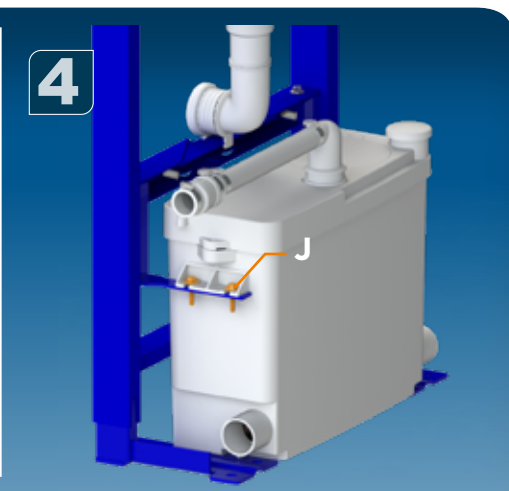
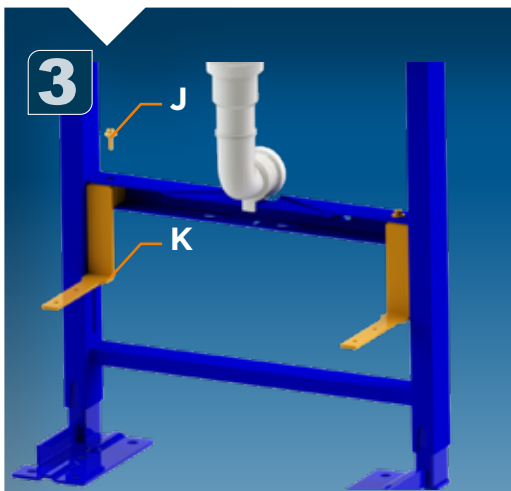
**HR** UPUTA ZA INSTALACIJU

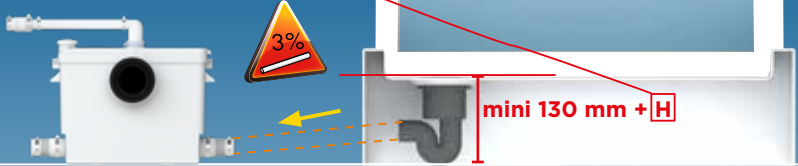
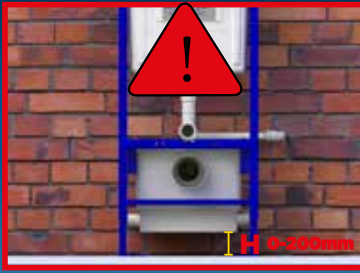
**AR** بيكرتاللا قيرط





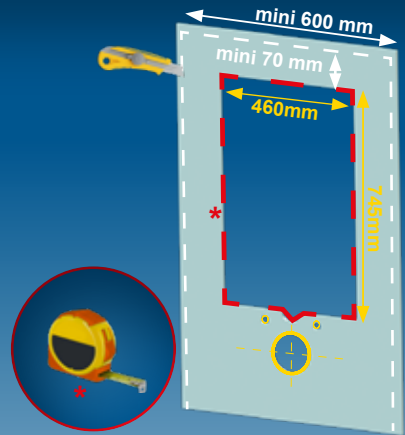
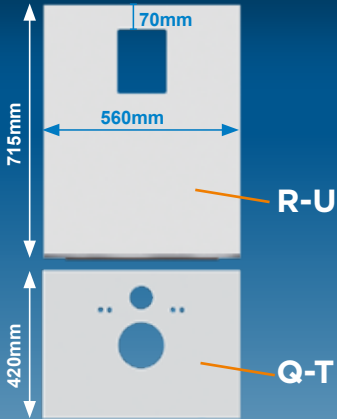




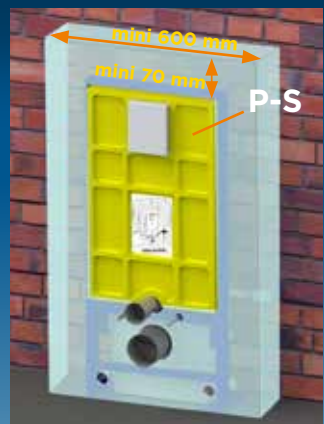


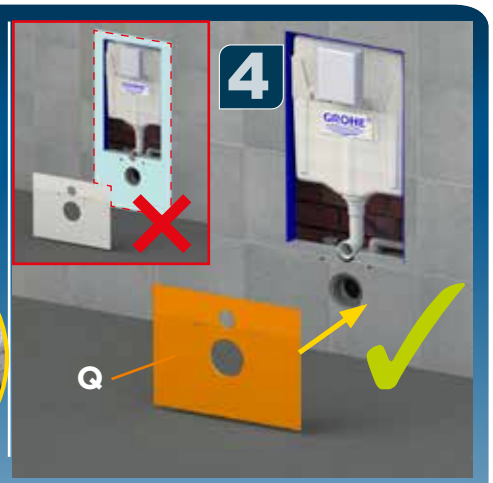
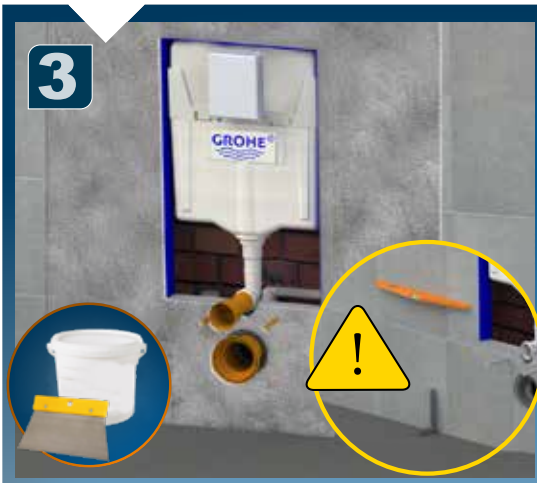
GLASS - STYLE VERSION ❄️ ✨

1



2



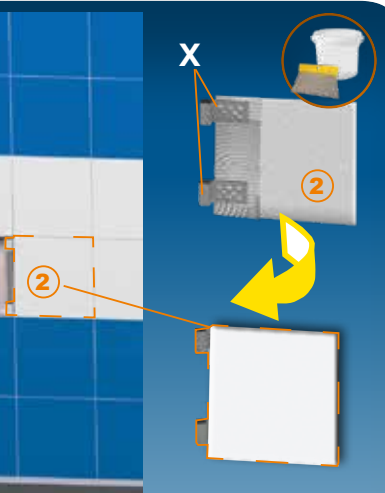
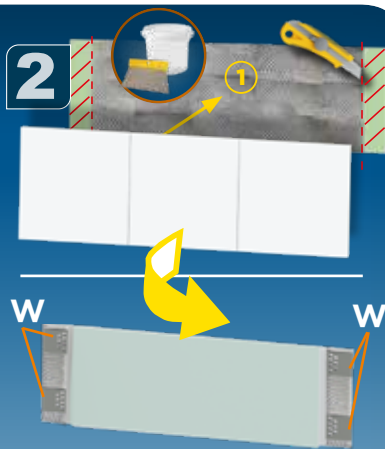


TILE VERSION \*

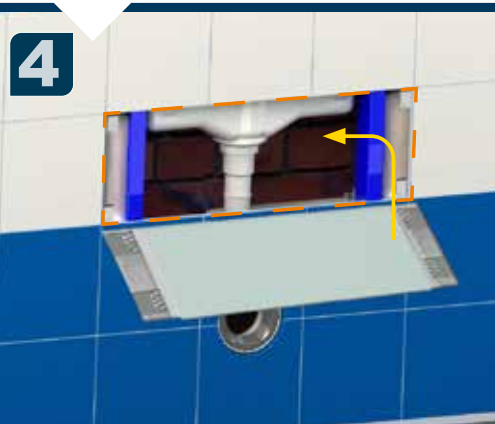
1



2



4



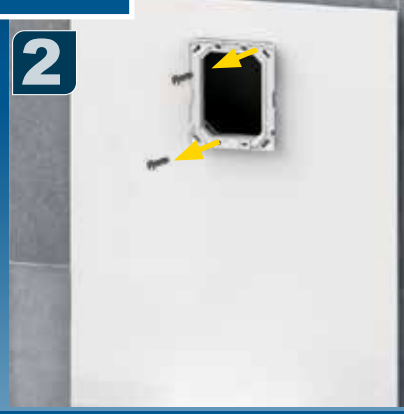


# MAINTENANCE

1



2



GLASS - STYLE VERSION \* \*

3



4



1



2



3

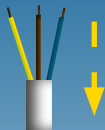


TILE VERSION \*





## Pressure Tube MAINTENANCE



1



2



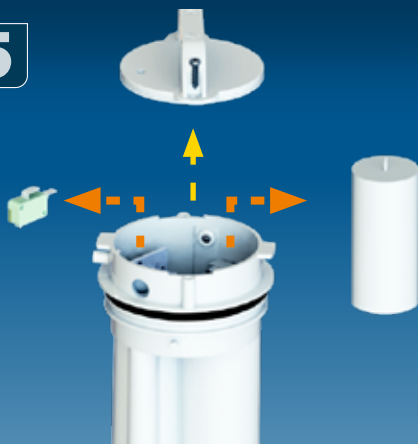
3



4

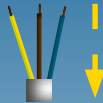


5

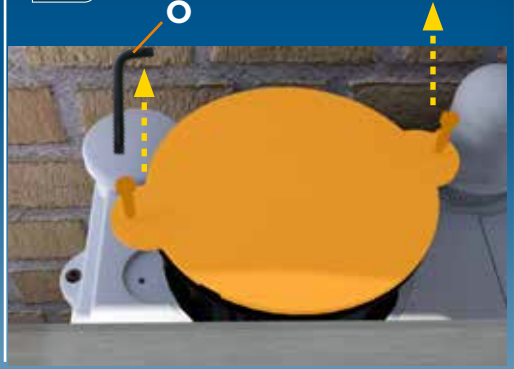




## Pump MAINTENANCE



1



2



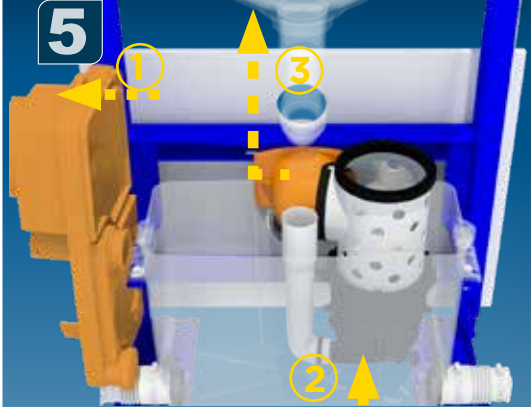
3

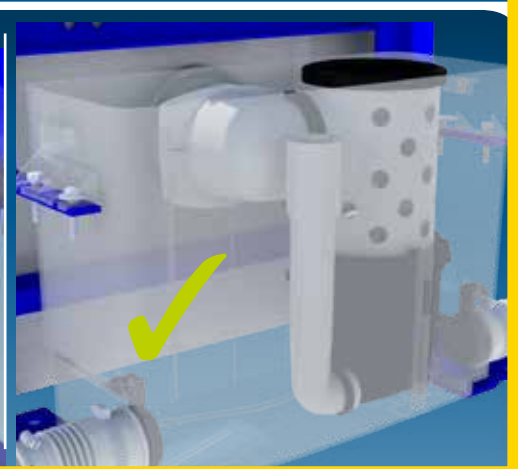
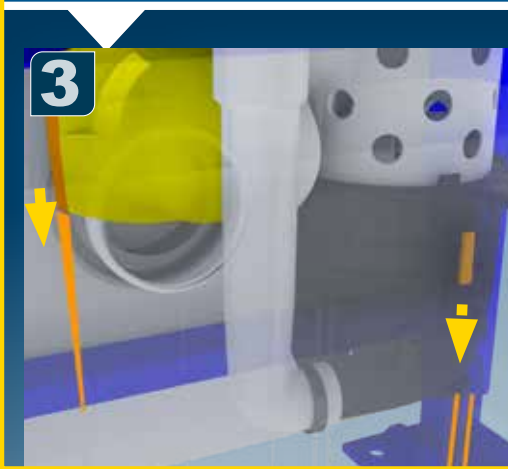
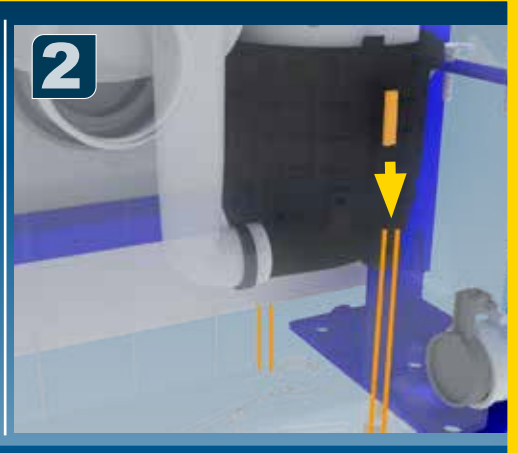
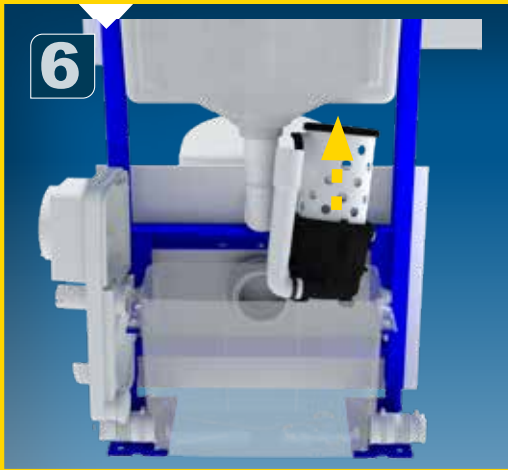


4



5





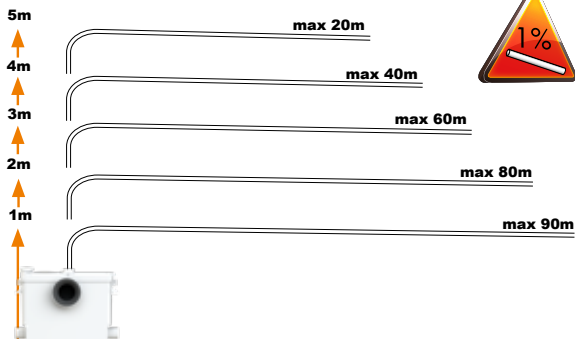
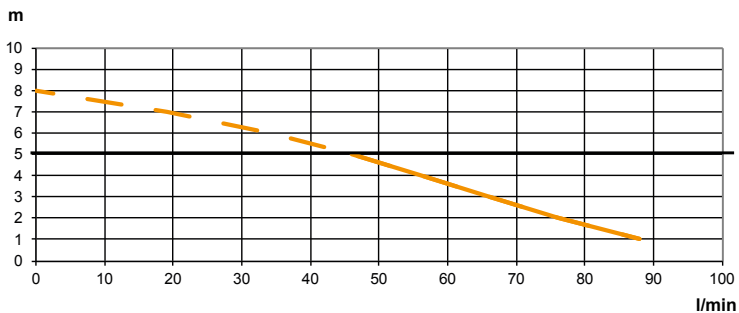












## SANIWALL PRO UP

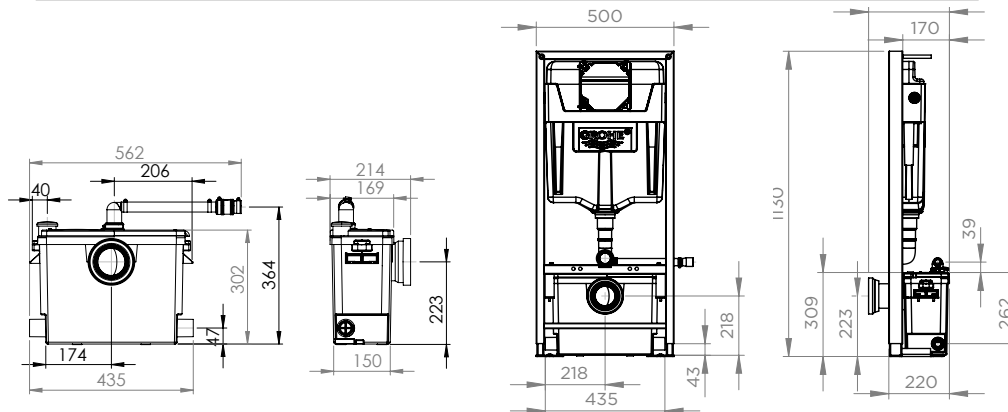
EN12050-3

P30

220-240 V - 50-60 Hz -

1,9 A - 400 W - IP44 -

⊕ (class 1)



### SERVICE HELPLINES

France  
Tel. 01 44 82 25 55  
Fax. 03 44 94 46 19

United Kingdom  
Tel. 08457 650011 (Call from a land line)  
Fax. 020 8842 1671

Ireland  
Tel. 1850 23 24 25 (LOW CALL)  
Fax. + 353 46 97 33 093

Australia  
Tel. +1300 554 779  
Fax. +61.2.9882.6950

Deutschland  
Tel. 0800 82 27 82 0  
Fax. (060 74) 30928-90

Italia  
Tel. 0382 6181  
Fax. +39 0382 618200

España  
Tel. +34 93 544 60 76  
Fax. +34 93 462 18 96

Portugal  
Tel. +351 21 911 27 85  
Fax. +35 21 957 70 00

Suisse Schweiz Svizzera  
Tel. +41 (0)32 631 04 74  
Fax. +41 (0)32 631 04 75

Benelux  
Tel. +31 475 487100  
Fax. +31 475 486515

Sverige  
Tel. +08-404 15 30

Norge  
Tel. +08-404 15 30

Polska  
Tel. (+4822) 732 00 33  
Fax. (+4822) 751 35 16

РОССИЯ  
Tel. (495) 258 29 51  
Fax. (495) 258 29 51

Česká Republika  
Tel. +420 266 712 855  
Fax. +420 266 712 856

România  
Tel. +40 724 364 543  
service@saniflo.ro

Türkiye  
Tel. +90 212 275 30 88  
Fax. +90 212 275 90 58

Brazil  
Tel. (11) 3052-2292

中国  
Tel. +86(0)21 6218 8969  
Fax. +86(0)21 6218 8970

South Africa  
Tel. +27 (0) 21 286 00 28

India  
Tel. +91 (0)22 6993 1900  
service@sfaumps.in

Vietnam  
Tel. +84 (0)977889364

Service information : [www.sfa.biz](http://www.sfa.biz)

