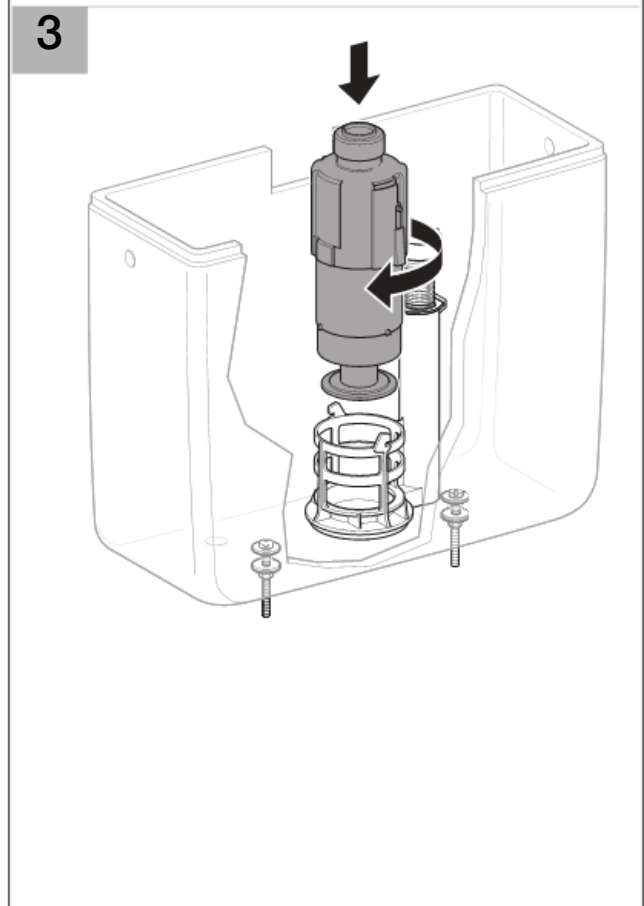
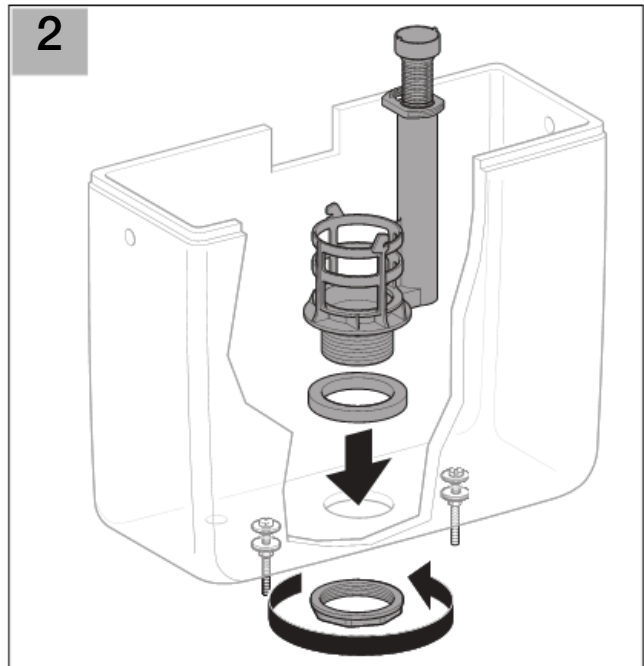
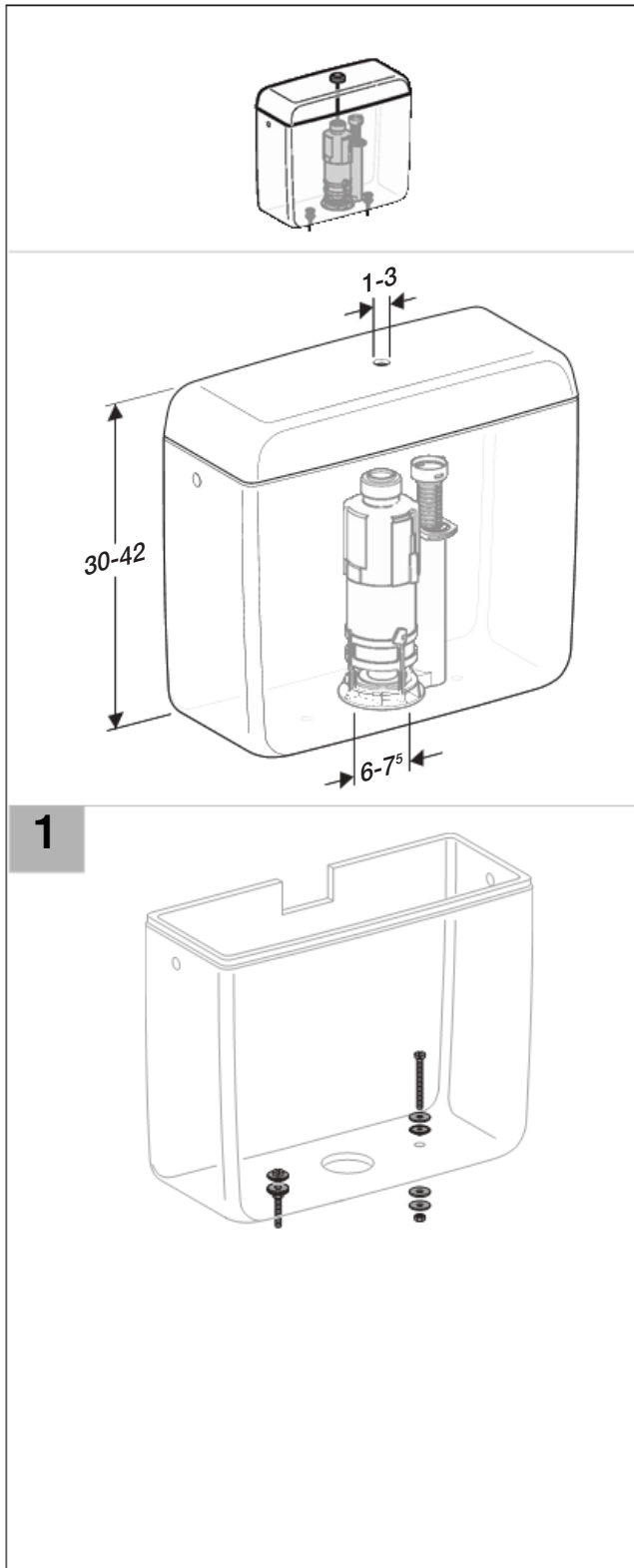
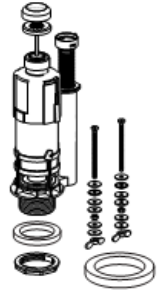


# Installation



D33290-001&BDC © 09-2008

